

HP

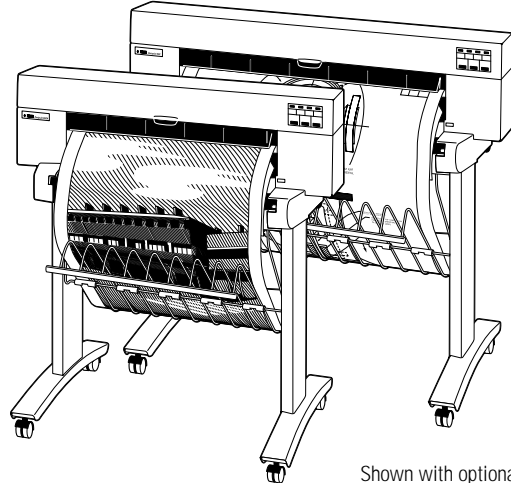
DesignJet

455CA, 450C and 430 Printers

Affordable large-format printing for individuals and small businesses

Highlights

- Ideal for line drawings, presentations, signs, and comps, providing maximum flexibility for all kinds of jobs
- Excellent line quality and graphics for maps, renders and images, with 600-dpi addressable black and 300-dpi color resolution
- Fast enough to give you quick turnaround and accommodate deadline workloads; prints 2- by 3-foot black line drawings in less than 1.5 minutes (Fast mode), color line drawings in about 4 minutes (Normal mode) and color images in about 18 minutes (Best mode)*
- Flexible enough to fit into any office, with tabletop design and optional legs kit
- Convenient and easy to use with features such as roll feed and automatic cutter, easy single-sheet loading, and simple front panel
- Accepts a wide variety of media to handle check plots, final output, presentations, overlays, and archiving
- HP-developed AutoCAD™ and Microsoft® Windows® drivers take full advantage of printer features
- HP ZoomSmart scaling technology for easy large-format printing from any Windows application
- Genuine HP CAD languages – the industry standards – for compatibility with virtually all major applications
- Traditional HP quality and reliability for consistent, dependable performance – backed by a one-year warranty with free on-site service



Shown with optional legs

HP DesignJet 455CA Printer

- C6081A (36 inch) \$4,195**
- C6080A (24 inch) \$3,195**
- Affordable, personal color printer with software RIP providing PostScript® language compatibility for Macintosh
- Ideal for design professionals, providing increased printing options and in-house control
- Roll feed and automatic cutter standard
- HP JetDirect EX Plus external network interface for Ethernet connectivity

HP DesignJet 450C and 430 Printers

- HP DesignJet 450C printer
 - Personal color printer
 - C4716A (36 inch) \$3,495†
 - C4715A (24 inch) \$2,395†
- HP DesignJet 430 printer:
 - Personal black-only printer
 - C4714A (36 inch) \$2,995†
 - C4713A (24 inch) \$1,995†
- Optional roll feed and automatic cutter
- Optional HP JetDirect EX Plus and EX3 Plus external network interfaces
- Optional color upgrade kit for HP DesignJet 430 printer

* On coated paper, using Windows driver. Line drawing: Cadalyst 4775, Images: Full coverage D-size.

** U.S. list price not including optional legs.

† U.S. list price not including optional roll feed and legs.

HP DesignJet 455CA, 450C and 430 Printers

Specifications

Print Technology	
HP DesignJet 455CA and 450C	Color thermal inkjet (4 cartridges – black, cyan, magenta, yellow)
HP DesignJet 430	Monochrome thermal inkjet (1 black cartridge)
Print Time (2 × 3 ft)	
Black lines	1.5 minutes (Fast mode)
Color lines	4 minutes (Normal mode)
Color images	18 minutes (Best mode)
Maximum Resolution	
Black: 600-dpi addressable; Color: 300-dpi	
Media Types	
HP Bright White Inkjet Paper, bond, coated, tracing, glossy papers and films, vellum, clear and matte film; translucent bond (black only)	
Media Handling	
HP DesignJet 455CA	Sheet and roll feed/auto cutter, output bin
HP DesignJet 450C and 430	Sheet feed, optional roll feed/auto cutter
Media Sizes	
36-inch models	Rolls: 36- and 24-inch wide; Sheets: 8.3-in to 36-in wide
24-inch models	Rolls: 24-inch wide; Sheets: 8.3-in to 24-inch wide
Maximum Length	Rolls: 150 ft; Sheets: 64-in
Memory	
Standard: 4 MB RAM Maximum: 36 MB RAM	
Languages	
HP DesignJet 450C/430/455CA	HP-GL/2, HP-GL, HP RTL
HP DesignJet 455CA only	PostScript® level 2™ via software RIP for Macintosh
Drivers	
AutoCAD	R14 (Windows 95/98, NT 4.0); R13 (Windows 3.1, 95, NT 3.51, 4.0, DOS); R12 (Windows 3.1, 95, DOS); R11, R10 (DOS)
Windows	Windows 3.1, 95/98 and NT 3.51, 4.0
Interfaces	
HP DesignJet 450C/430/455CA	Standard: IEEE-1284 compatible, RS-232-C
HP DesignJet 450C/430	Optional: HP JetDirect EX Plus and EX Plus3 external network interfaces
HP DesignJet 455CA only	Standard: HP JetDirect EX Plus external network interface (Ethernet, EtherTalk)
Minimum System Configuration	
HP DesignJet 455CA only: Macintosh Power PC, 32-MB RAM, 1-GB hard drive, Mac Operating System 7.5.3 or above	
Auto I/O Switching	
Yes	
Warranty	
One-year with free on-site service	

Physical Characteristics

Width × Depth × Height	24-in models: 41 × 9 × 31 in	36-in models: 52 × 9 × 13 in
Weight		
HP DesignJet 450C and 430*	24-in models: 57 lbs	36-in models: 70 lbs
HP DesignJet 455CA**	24-in models: 62 lbs	36-in models: 75 lbs

Operating Environment

Temperature	Operating, optimal: 59° – 95°F; Storage: -40° – 158°F	
Relative Humidity	Operating: 20% to 80%	
Power Requirements	Source 100-240 V AC±10%; Frequency 50-60Hz	
Power Consumption	140 watts maximum	
Acoustics		
	(Per ISO DP 7779 standard) Printing	Idle
	Sound Pressure Level*** 50 dB (A)	<20 dB (A)
	Sound Power Level 6.7 Bels (A)	<3.6 Bels (A)

Regulatory Approvals

Electromagnetic Compatibility	FCC and RRL certified. VCCI registered. Compliant with EU EMC directive, Canada DOC and Australia/NZ requirements. Class B Products (Class A when connected to LANs)
Safety	UL listed, CSA certified, NEMKO approved, NOM certified 950 et al, CCIB certified
Environmental	US EPA Energy Star compliant

Ordering Information

	HP P/N
HP DesignJet 455CA printer:	
24-inch model	C6080A
36-inch model	C6081A
HP DesignJet 450C printer:	
24-inch model	C4715A
36-inch model	C4716A
HP DesignJet 430 printer:	
24-inch model	C4713A
36-inch model	C4714A

The above units come with print cartridges (one black; the HP DesignJet 450C and 455CA printers also come with one each of cyan, magenta, yellow); Microsoft Windows and AutoCAD drivers, media sample, user documentation and a power cord. The HP DesignJet 455CA printer also includes HP JetDirect EX Plus external network interface, RIP software for Macintosh, and parallel cable. Interface cables must be ordered separately.

Supplies

HP print cartridges:	HP P/N
Black	51640A
Cyan	51644C
Magenta	51644M
Yellow	51644Y

Accessories

Roll feed kit for HP DesignJet 450C and 430:	
24-inch models	C4717A
36-inch models	C4719A
Spindle:	
24-inch models	C6238A
36-inch models	C6239A
Legs Kit:	
24-inch models	C6069A
36-inch models	C6070A
Color upgrade kit for HP DesignJet 430	C4178A
HP memory expansion modules:	
16-MB SIMM	C6231A
32-MB SIMM	C6232A
Cleaning Kit	C6247A

HP DESIGNJET
HELPING
the WORLD
make a



BIG
IMPRESSION



As an ENERGY STARSM Partner, Hewlett-Packard Company has determined that this product meets ENERGY STARSM guidelines for energy efficiency.

Visit the HP DesignJet website at
<http://www.hp.com/go/large-format>

AutoCAD is a U.S. trademark of Autodesk, Inc. Microsoft and Windows are registered trademarks of Microsoft Corporation in the United States. PostScript is a trademark of Adobe Systems, Inc. which may be registered in certain jurisdictions. Technical information in this document is subject to change without notice.

©1999 Hewlett-Packard Company
5967-5725EUS

* Does not include optional roll feed and legs kit

** Does not include optional legs kit

*** Typical emissions at 1-meter bystander position