

HP Scanjet 8350/8390 Document Flatbed Scanners



Enjoy the convenience, performance, and reliability of a complete workgroup document management solution, with high-speed scanning, an automatic document feeder, and powerful software.

Speed

- **Save time with fast, unattended duplex scanning** with the speed and convenience of a 100-page automatic document feeder. Dual scan heads scan both sides of the page simultaneously. Scan single-sided pages at up to 35 pages per minute (ppm), or make two-sided scans at 70 images per minute (25 ppm and 50 ipm for the 8350 model).¹ Preview scans are captured in a quick 4 seconds.
- **Create custom scan profiles.** HP Smart Document Scan Software provides everything needed to scan, correct errors, and convert and save electronic files. Assign document profiles to buttons on the scanner, then easily launch the profiles with a push of a button.
- **Make copies with the touch of a button.** A “copy” button delivers the convenience of a copier by sending a scan to your default printer, providing multiple copies of a single scan.

Value

- **Enjoy the highest possible image quality and OCR accuracy.** Spend less time preparing documents for scanning, and see higher-quality results. Feed a stack of documents into the automatic document feeder, and Kofax VirtualReScan will automatically adjust the color and contrast so you get clear, readable results. Adjustable resolution up to 4800 by 4800-dpi.
- **Seamlessly integrate with existing software.** Start scanning immediately, using TWAIN drivers compatible with most software applications, or integrate the scanner into your existing document management software, using ISIS drivers.

• Easily file, locate and organize digital documents.

ScanSoft PaperPort (NewSoft Presto! PageManager for Mac) includes a complete personal document management solution with a browser-type interface, which displays thumbnails of files on the system and makes it easy to find and move photos and documents. Initiate scanning from within the program or from the front panel of the scanner. File documents and photos quickly with drag-and-drop capabilities.

- **Convert scanned documents into editable text.** Save time capturing text from hard-copy documents. Edit text from scanned documents, using included IRIS Readiris™ Pro OCR software or HP Smart Document Scan Software. Then, easily save scans as Microsoft® Word or Adobe® PDF files.
- **Increase your options.** Increase efficiency with the scanner's legal-sized flatbed. Plus, the built-in Transparent Materials Adapter and included templates make it easy to capture images from 35 mm slides and negatives, medium-format film, and 4 by 5 inch film.

Reliability

- **Work with confidence.** Engineered to meet your workgroup document management needs, this sturdy, reliable scanner features exceptional paper handling with multi-feed detection. Innovative hardware features let you easily remove objects like paper clips or staples, using a quick-access panel on the automatic document feeder.
- **Count on award-winning HP support.** HP's expert knowledge will help you make the most of your scanner and ensure your equipment is running at peak efficiency. Start with a one-year, limited hardware warranty, backed by free online or phone support available 24 hours a day, every day of the year.

¹ Scan speeds based on black-and-white scanning done at 200-dpi resolution.

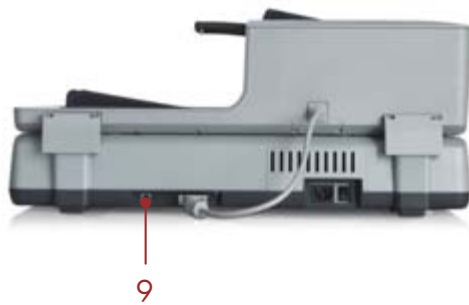


HP Scanjet 8350/8390 Document Flatbed Scanners

- 1 Intuitive control panel features LCD display
- 2 Power button
- 3 4 programmable buttons for customized jobs
- 4 Copy button with number of copies and color/black-and-white selectors
- 5 Scan-to destination button with selection buttons
- 6 Button settings button
- 7 Cancel button
- 8 100-sheet automatic document feeder
- 9 Built-in Hi-Speed USB 2.0 port
- 10 Transparent Materials Adapter
- 11 Legal-sized flat scan bed



HP Scanjet 8390 shown



Scanner highlights

- Fast preview and scanning speeds, including PDF creation
- ISIS and TWAIN drivers for easy, flexible installation
- A legal-size bed to scan in larger documents
- Copy functionality, allowing the scanner to double as a copy machine when used with a default printer
- Powerful document and photo software included
- A Transparent Materials Adapter (TMA) for scanning film material, with a convenient storage area for the templates
- Multi-image scanning that can automatically save documents and images as individual files
- One year, limited hardware warranty with award-winning HP phone and Web support

Powerful software solutions save time, increase workgroup productivity, and add value. Count on HP technology to help your business work smoothly.



Customized document management

HP Smart Document Scan Software is a fast, ISIS-based document scanning application that boosts workgroup productivity. Configure custom settings, such as document size, resolution, and destination, and assign them to buttons for one-touch scanning. Other time-saving image adjustments include auto crop, auto page straighten, auto orientation, resize page, and deletion of blank pages.

During the scanning processes, documents are previewed. While in preview, pages can be reordered, deleted or inserted, and rotated. You can even use the barcode detector or a blank page to separate jobs in one scan.

This software also allows you to customize the profile to direct the destination of the finished file—whether it is a PDF, searchable PDF, TIFF, JPEG, or other format. You can save a file to a shared drive, an email application, or a Microsoft Sharepoint Portal server. A customizable destination is also available to allow documents to be sent to any application that supports command line architecture.

Superior image quality—automatically

Kofax Virtual ReScan is a patented image enhancement technology that automatically provides the best possible image quality and most efficient scanning operation, regardless of the condition of the original documents. It is especially useful for scanning documents into a black-and-white file where the background of the document is dark or damaged.

Enhanced photos

HP Photosmart Software allows high-quality scanning of photos, slides, and negatives. It features HP Real Life technologies with adaptive lighting technology, red-eye removal, and the ability to enhance, correct and restore photos, slides, and negatives. You can even restore color and remove the appearance of dust and scratches. Multi-photo support enables simultaneous scanning of up to 3 photos, 8 slides, or 18 negatives at one time, while saving each one as a separate file. Plus, get the ability to save 48-bit files.

Flexible solutions

Whether you need a full document or imaging solution or just need TWAIN or ISIS drivers, the scanner provides the flexibility to install only what you want. During the install process, simply choose the level of support to meet your needs.

In addition, Mac scan software makes document management easy, regardless of your operating platform. With HP Photosmart Studio, you can easily edit, print, and share images. The Mac Scan Software can be installed using Easy Install or Custom Install, which allows you to choose the components you wish to install.

Great value

In-box software for the HP Scanjet 8350 and 8390 scanners gives you powerful tools to increase workgroup productivity—quickly and easily.

HP Scanjet 8350/8390 Document Flatbed Scanners

Technical specifications	HP Scanjet 8350 scanner (L1961A)	HP Scanjet 8390 scanner (L1962A)
Scanner type	Flatbed	
Scan technology	Charge Coupled Device (CCD)	
Automatic document feeder (ADF) capacity	100 sheets	
ADF Scan speed ³	Up to 25 ppm, up to 50 ipm	Up to 35 ppm, up to 70 ipm
Preview speed ³	Up to 4 sec	
ADF paper size support	Letter, legal, A4, A5, custom	
Task speed ³	4 by 6 in color photo into file: less than 24 sec; OCR a full page of text into Microsoft Word: less than 33 sec; e-mail photo: less than 24 sec	
Duty cycle	Up to 1,000 pages per day	
Scan resolution	Hardware: Up to 4800 by 4800 dpi; Optical: Up to 4800 dpi; Enhanced: Up to 999999 dpi ⁴	
Color bit depth/Grayscale levels	Bit depth: 48-bit; Grayscale: 256	
Image scaling or enlargement range	10 to 2000 percent in 1 percent increments	
Maximum document scan size (ADF and flatbed)	8.5 by 14 in (216 by 356 mm)	
Minimum document scan size (ADF)	5.8 by 5.8 in (A5)	
Multi-feed detection	Yes	
Media types	Paper (plain, inkjet, photo), envelopes, cards (index, greeting), 3-D objects, 35 mm slides and negatives, medium- and large-format film (using transparent materials adapter)	
File formats	Windows: BMP, JPG, TIF, TIF (compressed), PNG, PCX, FFX, GIF, PDF, PDF searchable, RTF, HTML, TXT, HTM, DOC, WPD, XML, XLS, OPF Mac: PICT, TIFF, JPEG, PNG, PDF, BMP, JPEG 2000, Photoshop, Quicktime image, SGI image, TGA	
Control panel	4 customizable buttons, 1 Scan-to destination button with selection buttons, Copy button with number of copies and color/black-and-white selectors, Power button, Cancel button, Button settings button, LCD display	
Connectivity	Hi-Speed USB (compatible with USB 2.0 specifications)	
Dimensions (W by D by H)	24.61 by 16.34 by 10.43 in (625 by 415 by 265 mm)	
Weight	33 lb (15 kg)	
What's in the box	HP Scanjet 8350 or 8390 Document Flatbed Scanner, automatic document feeder (ADF), built-in 4 by 9 in transparent media adapter (TMA) and film templates for scanning slides and negatives, Hi-Speed USB 2.0 cable, power cord, ADF cleaning cloth, Setup and Support Guide, customizable button labels, CD-ROM(s) with software for Windows (HP Smart Document Scan Software, HP Photosmart Essential or Premier, ScanSoft PaperPort, Adobe Photoshop Elements, I.R.I.S. Readiris Pro OCR, Kofax VirtualReScan, Captiva ISIS/Twain drivers, Captiva QuickScan Pro Demo), CD-ROM(s) with software for Macintosh (HP Photosmart Studio, I.R.I.S. Readiris Pro OCR, Adobe Photoshop Elements, NewSoft Presto! PageManager)	

Ordering information

Product	Number
HP Scanjet 8350 Document Flatbed Scanner	L1961A
HP Scanjet 8390 Document Flatbed Scanner	L1962A
Accessories	
Automatic document feeder cleaning sheets	C9915-60055
Automatic document roller replacement kit	L1966-69001

Compatible operating systems	Windows 98 SE, 2000, Me, XP, XP Professional, XP Professional x64; Mac OS X v 10.2.8, 10.3, 10.4
Minimum system requirements	
For Macintosh systems	Mac OS v 10.2.8, 10.3, 10.5; 128 MB RAM (256 MB recommended); 250 MB available disk space
For PC systems	Pentium III or equivalent Celeron processor; 128 MB RAM; 400 MB hard disk space; 800 by 600 SVGA monitor; Windows 98 SE, 2000, Me, XP (Professional, Home, 64-bit); CD-ROM drive; USB port; Internet Explorer 5.01 with Service Pack 2 (drivers-only install requires 64 MB RAM and 80 MB hard disk space)
Operating environment	
Operating temperature	41 to 104 degrees F (5 to 40 degrees C)
Recommended temperature	41 to 104 degrees F (5 to 40 degrees C)
Storage temperature	-40 to 158 degrees F (-40 to 70 degrees C)
Recommended relative humidity	15 to 85 percent, non-condensing
Non-operating relative humidity	15 to 80 percent, non-condensing
Power specifications⁵	100 to 240 VAC (+/- 10%), 50/60 Hz (+/- 3%)
Power consumption	80 watts maximum
Product certifications	
Safety certifications	IEC 60950-1 First Edition (2001), national derivatives, associated voluntary and mandatory certifications: Argentina (UL AR/S), Canada (cUL), China (CCC), Russia (GOST), European Union (UL Demko GS), Korea (eK), Singapore (Safety Authority), Taiwan (BSMI), USA (UL); other: Mexico (NOM)
EMC certifications	EU (EMC Directive), US and Canada (FCC Rules), Australia and New Zealand (ACA), China (CCC), Korea (MIC, RRL), Taiwan (BSMI), Russia (GOST), South Africa (ICASA)
Warranty	One year, limited hardware warranty, one-year free phone support

³ Scan speed: tests performed on a 3.0 GHz HP Media Center PC with 1 GB of RAM and Windows XP Media Center. Scan speeds based on letter-sized, black-and-white scanning to a TIFF file at 200-dpi resolution, using HP Smart Document Scan Software.

⁴ The maximum dpi at which you can scan is limited by available computer memory, disk space, and other system factors.

⁵ Power requirements are based on the country or region where the product is sold. Do not convert operating voltages or use with other voltages. Doing so might cause damage that would not be covered under HP's product warranty.



© Copyright 2006 Hewlett-Packard Company.

The information contained herein is subject to change without notice. To the extent allowed by local law, except for the obligations specifically set forth in this warranty statement, in no event shall HP or its third-party suppliers be liable for direct, indirect, special, incidental or consequential damages, whether based on contract, tort or any other legal theory and whether advised of the possibility of such damages.

Adobe and Photoshop are trademarks of Adobe Systems Incorporated. Energy Star is a U.S. registered mark of the United States Environmental Protection Agency. Microsoft, Windows, and Windows XP are U.S. registered trademarks of Microsoft Corporation. Pentium is a U.S. registered trademark of Intel Corporation. ISIS is a registered trademark of Captiva Software Corporation. All other product names mentioned herein may be trademarks of their respective companies.

Printed in US

For more information visit our website at www.hp.com

4AA0-3056ENUC, 02/2006, Rev. 1.1

